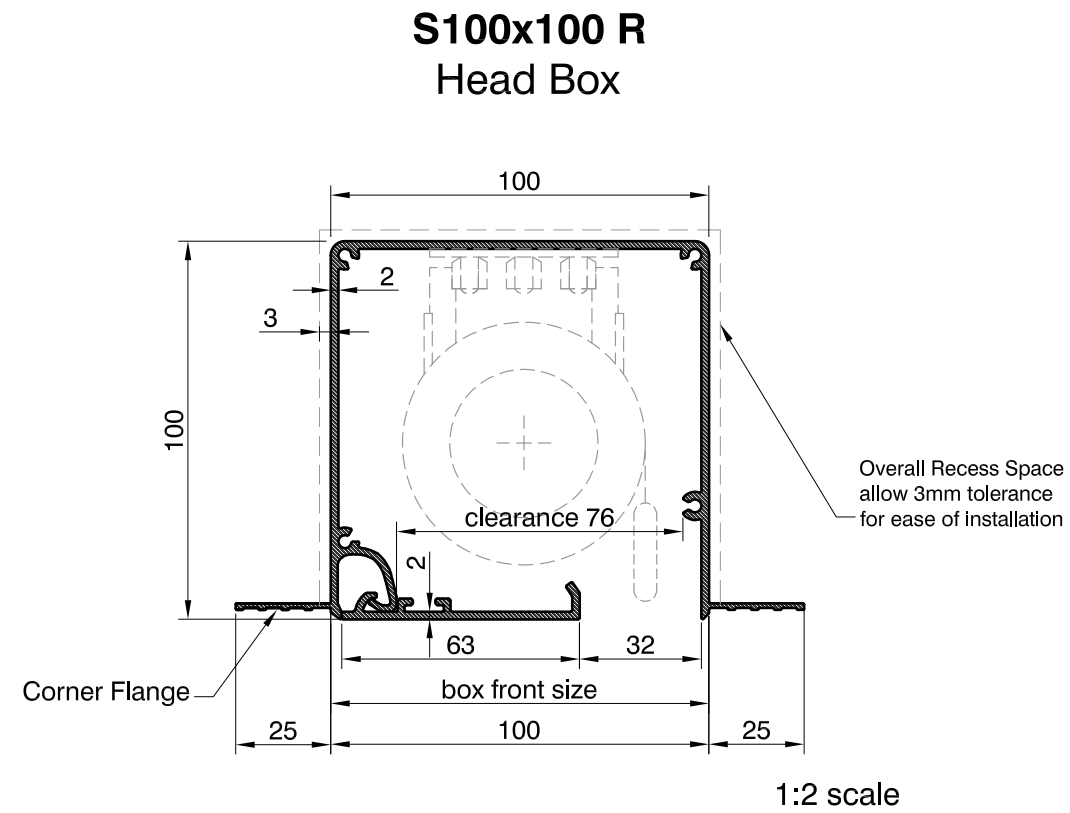
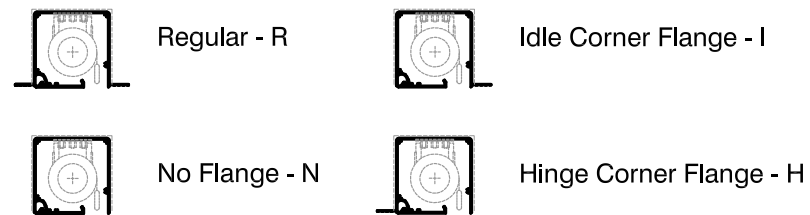


Blindspace® S100x100

for Medium Standard Roller Blind



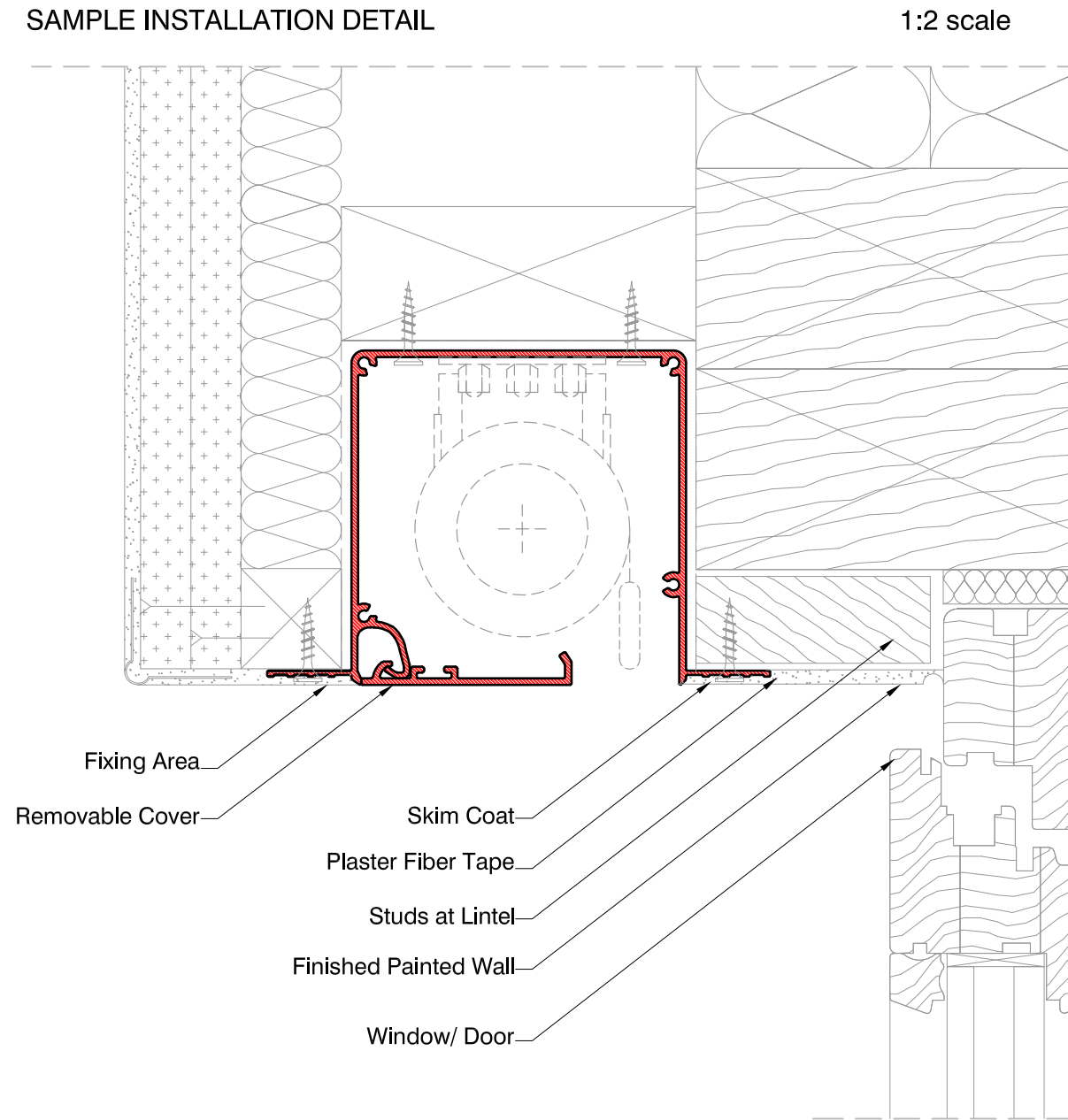
SKIM COAT FLANGES LOCATION OPTIONS



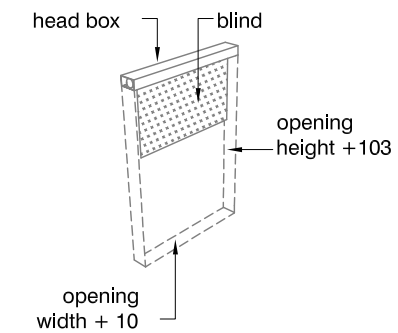
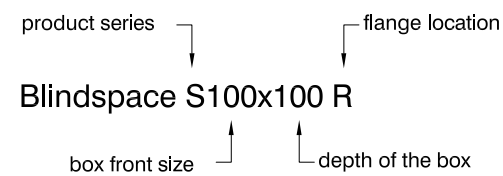
INSTALLATION NOTE:
Make sure there is space for window/door handles. Boxes and blinds can also be mirrored in vertical plane for opening towards the room.

DISCLAIMER:
Note that the architectural detail is shown for reference only and might not show proper solution for a specific building application. All architectural details shown shall not be used for construction, and shall be drawn by an architect accordingly to a specific building section. Drawing intent shows possible placement of Blindspace® and/or Reese™ products within generic drywall application.

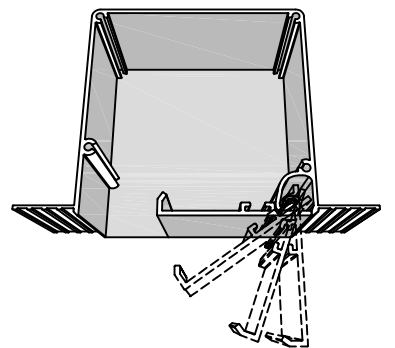
SAMPLE INSTALLATION DETAIL



PRODUCT REFERENCE



Product	Blindspace S100x100
Description	Recessed extruded aluminium boxes and covers designed to conceal window blinds.
Material	Anodized Aluminium, grade: EN 6063 T6
Finishes	- Unfinished for site painting - Primed for site painting - Pre-finished to RAL colour
Blind sizes	Blind Sizes to fit inside the box: Medium Standard Roller Blind Exact size depending on fabric and hembar selection. Opening Width max: 2800mm Opening Height max: 2900mm
Installation	Boxes should be fixed on both sides. The finished plaster level should be flush with chamfered edge. Anchoring countersink screws through skim coat flanges are recommended.
Drawing	Standard Blindspace Boxes S100x100 for Window Blinds
Item name	S100x100
Date	September, 2018
Notes	Dimensions in mm Do not scale from drawing
Drawn by	M. Kozak, B. Dzieza
Approved	A. Sundelin
Revision	R-0: first issue R-1: naming update



Print date	2018-9-28
Print file	blindspace s100x100 for windows with medium std roller blind v05.dwg
Page size	ISO A3 420x297
Remarks	